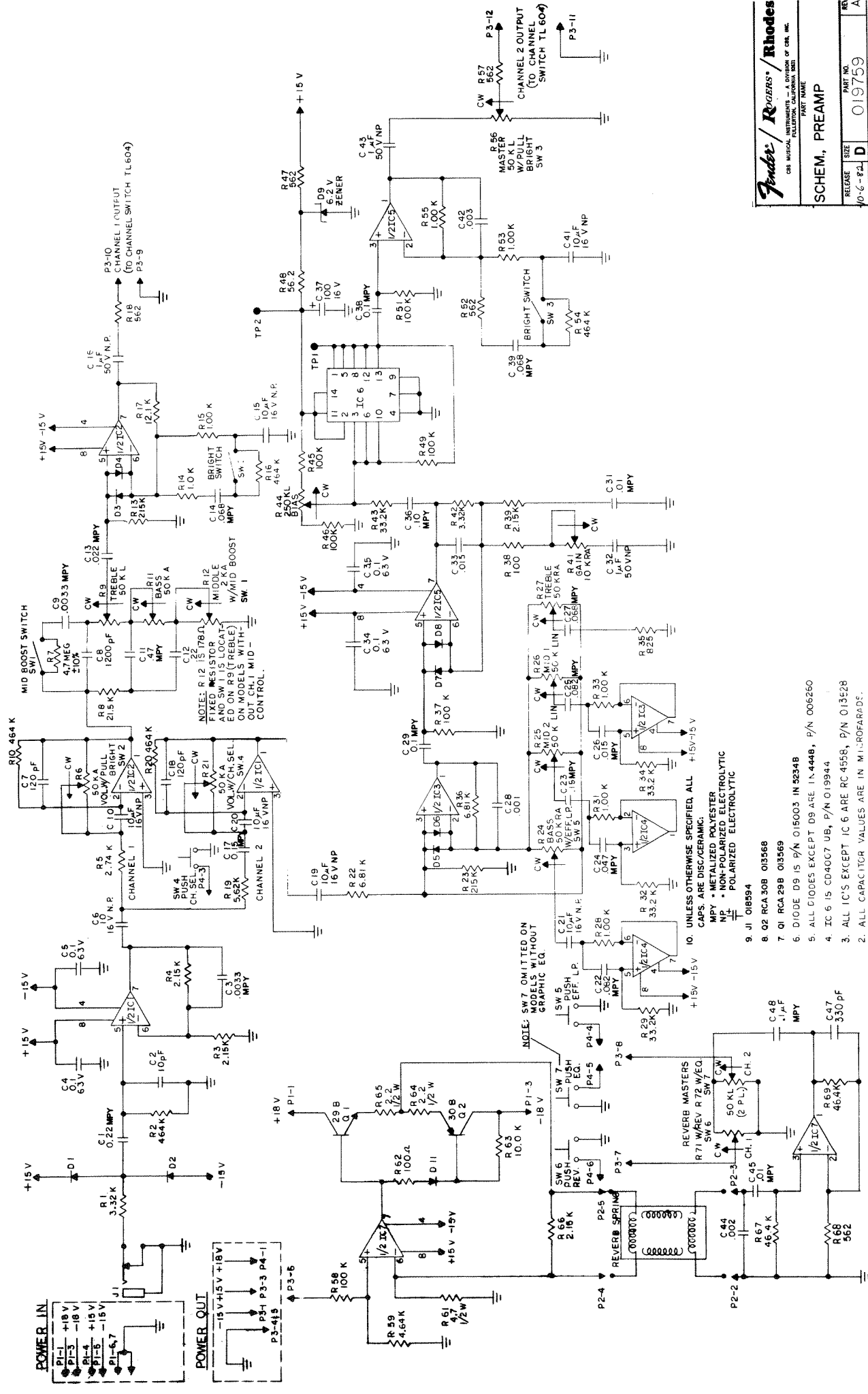


8. UNLESS OTHERWISE SPECIFIED ALL CAPS. ARE DISC/GERMANIC.
- M9 - NON-POLARIZED ELECTROLYTIC
- ⊖ - POLARIZED ELECTROLYTIC
7. TRANSISTORS Q2, 6 ARE RCA29A P/N 013569
6. TRANSISTORS Q4, 7 ARE RCA30A P/N 013368
5. TRANSISTORS Q1, 2, 3 ARE M.P.S. A18 P/N 014409
4. DIODES D1 & D2 ARE P/N 006260
- Δ MOUNTED ON HEAT SINK
2. ALL CAPACITOR VALUES ARE IN MICROFARADS
1. ALL RESISTOR VALUES ARE IN OHMS ± 1%, 1/4 W

NOTES: UNLESS OTHERWISE SPECIFIED

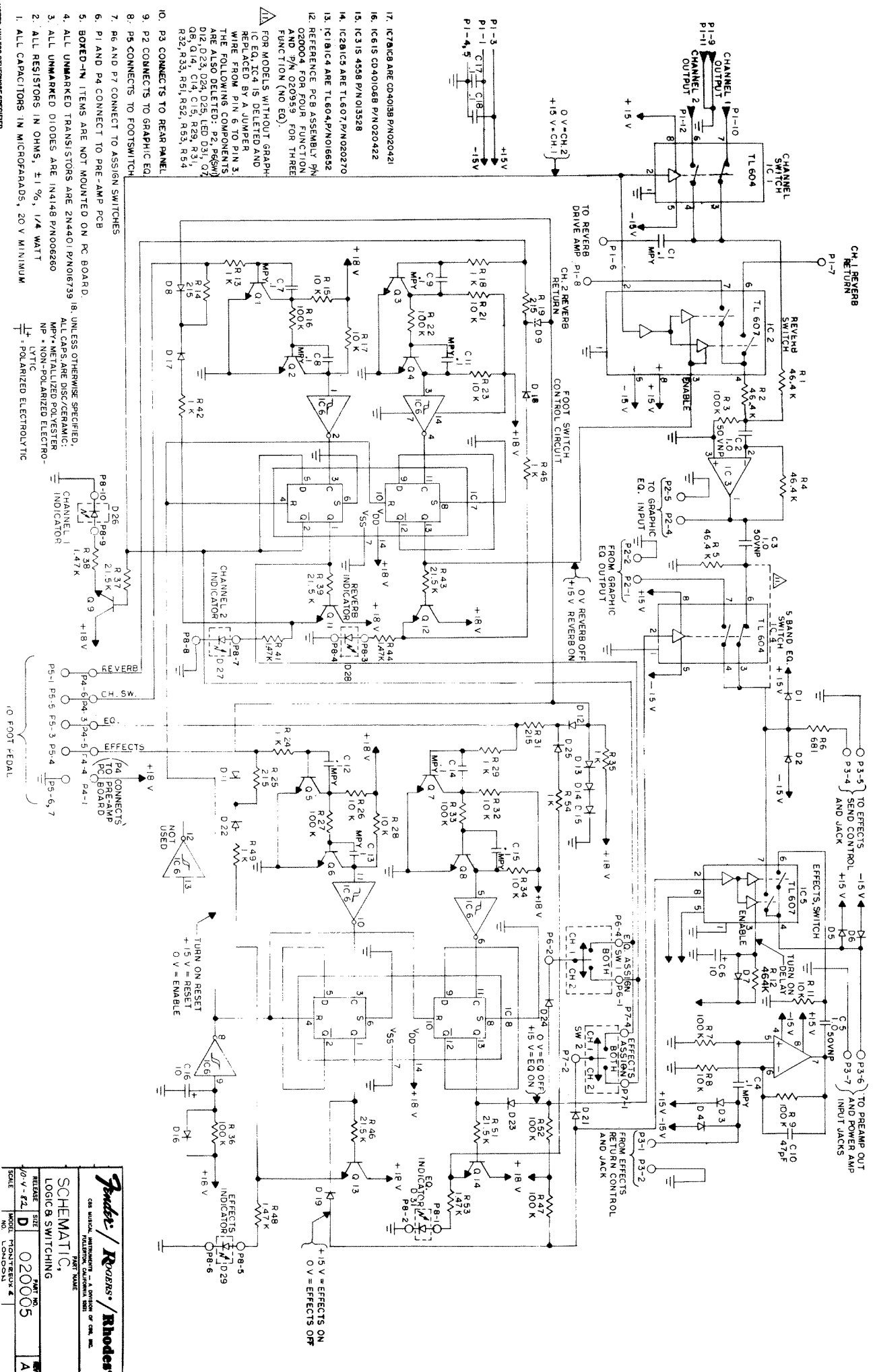
<b>Rohde &amp; Schwarz</b>	
THE MICROWAVE INSTRUMENTS DIVISION OF ROHDE & SCHWARZ FEDERAL AVENUE, MOUNTAIN VIEW, CALIFORNIA 94035	
<b>SCHEMATIC</b>	
<b>75 WATT POWER AMPLIFIER</b>	
PART NO.	0193369
REV.	B



**Fender/Rogers/Rhodes**  
 CBS MUSICAL INSTRUMENTS — A DIVISION OF CBS, INC.  
**SCHEM., PREAMP**  
 RELEASE SIZE PART NO. MODEL YEAR USED ON SCALE  
 10-6-82 D 019759 100-11  
 TO: MONTY LONDON

NOTES: UNLESS OTHERWISE SPECIFIED

1. ALL CAPACITOR VALUES ARE IN MICROFARADS.
2. ALL IC'S EXCEPT IC 6 ARE RC 4558, P/N 013528
3. ALL IC'S EXCEPT IC 6 ARE RC 4558, P/N 013528
4. IC 6 IS CD4007 UB, P/N 019944
5. ALL DIODES EXCEPT D9 ARE 1N4448, P/N 006260
6. DIODE D9 IS P/N 015003 IN 5234B
7. 01 RCA29B 033569
8. 02 RCA30B 033568
9. J1 018594
10. UNLESS OTHERWISE SPECIFIED, ALL CAPS. ARE DISC/CERAMIC.
- MPY - METALIZED POLYESTER
- NP - NON-POLARIZED ELECTROLYTIC
- P - POLARIZED ELECTROLYTIC



- 17. IC7812CB ARE CD40138B P/N020421
- 16. IC615 CD40106B P/N020422
- 15. IC315 4558 P/N013558
- 14. IC281C5 ARE TL607 P/N020270
- 13. IC1B1C4 ARE TL604 P/N016652
- 12. REFERENCE PCB ASSEMBLY P/N 020004 FOR FOUR FUNCTION AND P/N 020959 FOR THREE FUNCTION (NO EQ).

FOR MODELS WITHOUT GRAPHIC EQ, IC4 IS DELETED AND REPLACED BY A JUMPER WIRE FROM PIN 6 TO PIN 3. THE FOLLOWING COMPONENTS ARE ALSO DELETED: P2, P6(MW) D12, D23, D24, D25, LED D31, O2 Q6, Q14, C14, C15, R29, R31, R32, R33, R51, R52, R53, R54

- 10. P3 CONNECTS TO REAR PANEL.
- 9. P2 CONNECTS TO GRAPHIC EQ.
- 8. P5 CONNECTS TO FOOTSWITCH.
- 7. P6 AND P7 CONNECT TO ASSIGN SWITCHES.
- 6. P1 AND P4 CONNECT TO PRE-AMP PCB.
- 5. BOXED-IN ITEMS ARE NOT MOUNTED ON PCB BOARD.
- 4. ALL UNMARKED TRANSISTORS ARE 2N4401 P/N016739.
- 3. ALL UNMARKED DIODES ARE 1N4148 P/N006260.
- 2. ALL RESISTORS IN OHMS, ±1%, 1/4 WATT.
- 1. ALL CAPACITORS IN MICROFARADS, 20 V MINIMUM.

UNLESS OTHERWISE SPECIFIED, ALL CAPS ARE DISC/CERAMIC; NP = NON-POLARIZED ELECTROLYTIC; LYTC = LYTIC.

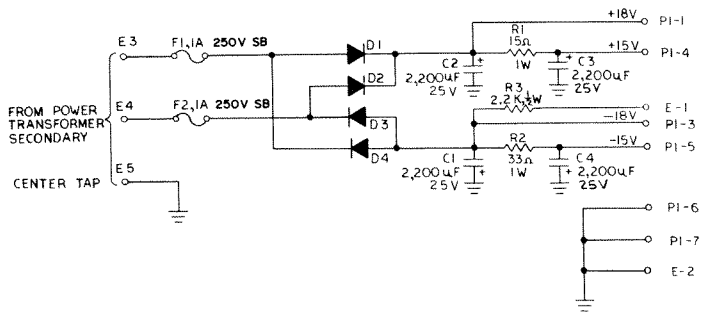
NOTES UNLESS OTHERWISE SPECIFIED

REVERSE	TO P3-5	TO EFFECTS SEND CONTROL AND JACK
CH SW	TO P3-4	TO P3-7
EQ	TO P3-6	TO PREAMP OUT AND POWER AMP INPUT JACKS
TO PRE-AMP BOARD	TO P4-5	TO P5-6
TO BOARD	TO P4-4	TO P5-7
TO BOARD	TO P4-3	TO P5-8
TO BOARD	TO P4-2	TO P5-9
TO BOARD	TO P4-1	TO P5-10

TO FOOT PEDAL

SCALE	10V = 2L	020005
MODEL NO.	020005	A
DATE	020005	
REVISION		

Anders / Roehrs / Rhodes  
 SCHAEMATIC  
 LOGIC & SWITCHING  
 MODEL NO. 020005  
 DATE 020005  
 REVISION A

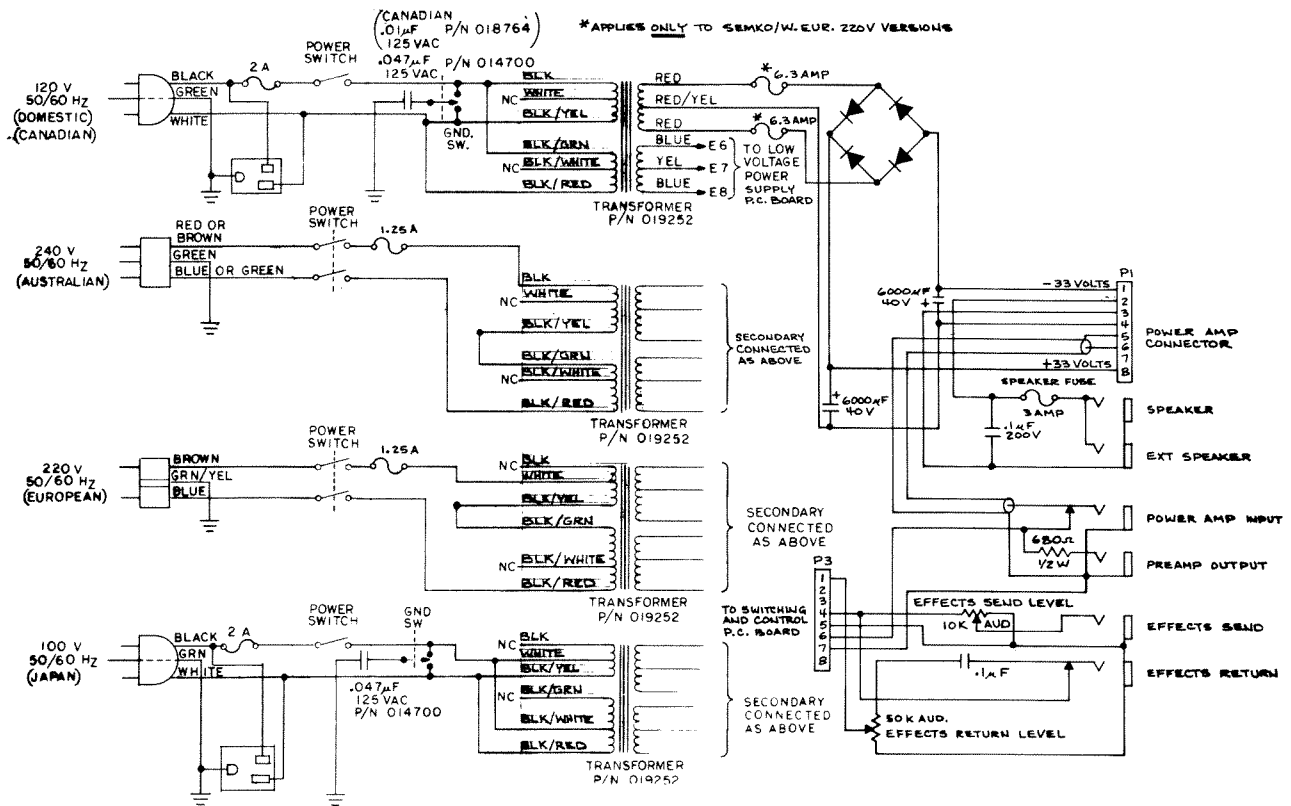


1. DIODES ARE 1.5 AMP, 200 VOLT, P/N 018030

**Fender / ROGERS / Rhodes**  
CBS MUSICAL INSTRUMENTS - A DIVISION OF CBS, INC.  
 FULLERTON, CALIFORNIA 92631

**SCHEMATIC, LOW VOLTAGE P/S**

RELEASE DATE	SIZE	PART NO.	REV.
10-9-82	B	020051	A
SCALE	MODEL	USED ON	
NONE	LONDON	MONT.	



NOTES: UNLESS OTHERWISE SPECIFIED

**Fender / ROGERS / Rhodes**  
CBS MUSICAL INSTRUMENTS - A DIVISION OF CBS, INC.  
 FULLERTON, CALIFORNIA 92631

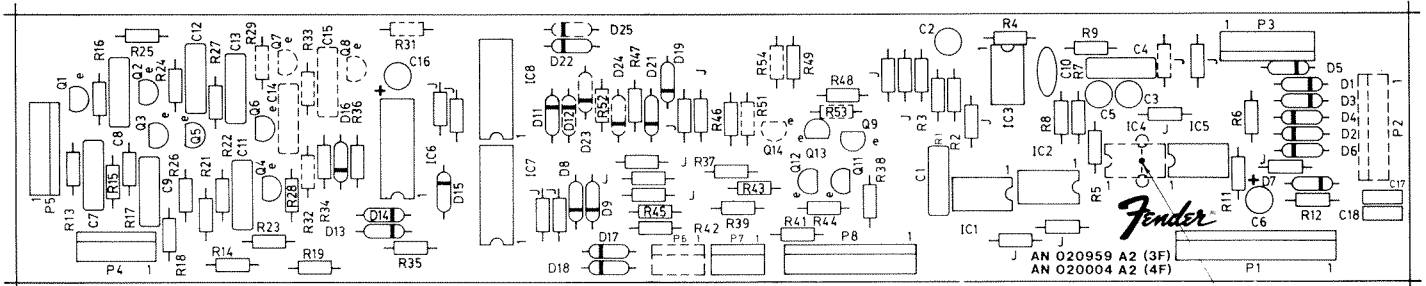
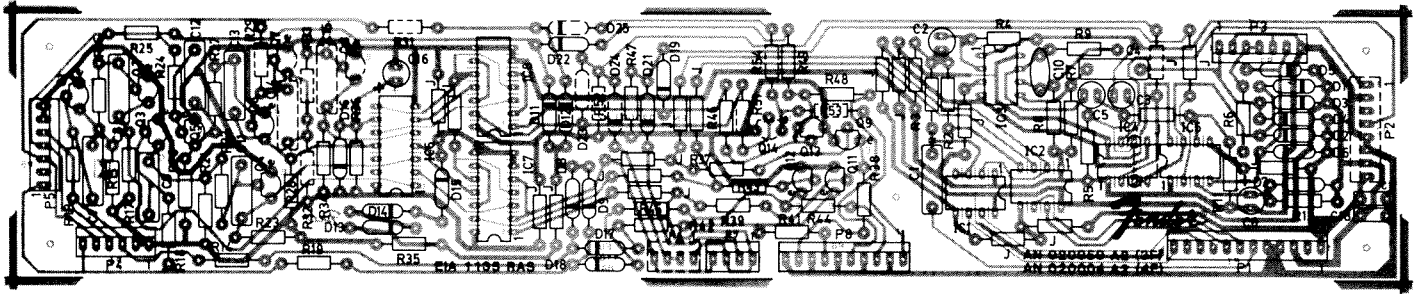
**SCHEMATIC, A.C. WIRING MONTREUX/LONDON**

RELEASE DATE	SIZE	PART NO.	REV.
10-9-82	C	020450	C
SCALE	MODEL	USED ON	
NONE	LONDON	MONT.	

# FENDER MONTREUX AMPLIFIER P.C. BOARD ASSEMBLY

## (020959-000)

### (PARTS LIST)



#### CAPACITORS

020909 47 pf disc  
 020925 120 pf disc  
 019973 .1 uf met poly  
 017497 .1 uf ceramic  
 019742 1 uf NP lytic  
 015124 10 uf 16V

#### RESISTORS

016938 215 ohm 1% 1/4W  
 016945 681 ohm 1% 1/4W  
 015718 1K 1% 1/4W  
 016952 1.47K 1% 1/4W  
 015582 10K 1% 1/4W  
 016968 21.5K 1% 1/4W  
 015583 46.4K 1% 1/4W  
 015585 100K 1% 1/4W  
 016984 464K 1% 1/4W

#### TRANSISTORS

016739 2N4401

C10  
 C7, 9, 12  
 C1, 4, 8, 11, 13  
 C17, 18  
 C2, 3, 5  
 C6, 16  
  
 R14, 19, 25  
 R6  
 R13, 18, 24, 35, 42, 45, 49  
 R38, 41, 44, 48  
 R8, 11, 15, 17, 21, 23, 26, 28, 34  
 R37, 39, 43, 46  
 R1, 2, 4, 5  
 R3, 7, 9, 16, 22, 27, 36, 47  
 R12

Q1, 2, 3, 4, 5, 6, 9, 11, 12, 13

#### DIODES

006260 1N4448

D1, 2, 3, 4, 5, 6, 7, 8, 9, 11, 13, 14,  
 15, 16, 17, 18, 19, 21, 22

#### CONNECTORS

020823 4-pin (male)  
 021158 6-pin (male)  
 020828 7-pin (male)  
 020831 10-pin (male)  
 021357 12-pin (male)

P7  
 P4  
 P3, 5  
 P8  
 P1

#### MISCELLANEOUS

013528 Dual op-amp RCA4558 IC3  
 016652 Analog sw. TL604 IC1  
 020421 Dual D flip flop CD40138 IC7, 8  
 020422 Hex Schmidt Trigger  
 CD401068 IC6  
 020270 Analog sw. TL607 IC2, 5

# FENDER MONTREUX AMPLIFIER P.C. BOARD ASSEMBLY

## (021098-000)

### (PARTS LIST)

#### CAPACITORS

020883	10 pf disc	C2
020925	120 pf disc	C7, 18
020867	330 pf disc	C47
060962	1000 pf disc	C28
065862	1200 pf disc	C8
023257	2000 pf disc	C44
020875	3000 pf disc	C42
019952	.0033 uf met poly	C3, 9
019959	.01 uf met poly	C31, 45
019961	.015 uf met poly	C26, 33
019963	.022 uf met poly	C13
019969	.047 uf met poly	C24
019971	.068 uf met poly	C14, 27, 39
019972	.082 uf met poly	C22, 25
019973	.10 uf met poly	C29, 36, 38, 48
019977	.15 uf met poly	C17, 23
019979	.22 uf met poly	C1, 12
019985	.47 uf met poly	C11
017497	.1 uf ceramic	C4, 5, 34, 35
019742	1 uf NP lytic	C16, 32, 43
019744	10 uf 16V	C6, 10, 15, 19, 20, 21, 41
015126	100 uf 16V	C37

#### RESISTORS

016930	56.2 ohm 1% 1/4W	R48
016934	100 ohm 1% 1/4W	R38, 62
016937	178 ohm 1% 1/4W	R12
016944	562 ohm 1% 1/4W	R47, 52, 57, 68
016946	825 ohm 1% 1/4W	R35
015718	1K 1% 1/4W	R14, 15, 28, 31, 33, 53, 55
016955	2.15K 1% 1/4W	R3, 4, 39, 66
016957	2.74K 1% 1/4W	R5
016958	3.32K 1% 1/4W	R1, 42
015580	4.64K 1% 1/4W	R59
016960	5.62K 1% 1/4W	R19
016961	6.81K 1% 1/4W	R22, 36
015582	10K 1% 1/4W	R18, 63
016965	12.1K 1% 1/4W	R17
016968	21.5K 1% 1/4W	R8
016971	33.2K 1% 1/4W	R29, 32, 34, 43
015583	46.4K 1% 1/4W	R67, 69
015585	100K 1% 1/4W	R37, 45, 46, 49, 51, 58
016979	215K 1% 1/4W	R13, 23
016984	464K 1% 1/4W	R2, 10, 16, 20, 54
038180	4.7 meg 10% 1/4W	R7
035590	2.2 ohm 10% 1/2W	R64, 65
061218	4.7 ohm 10% 1/2W	R61

#### TRANSISTORS

013569	RCA 29B	Q1
013568	RCA 30B	Q2

#### DIODES

006260	1N4448	D1, 2, 3, 4, 5, 6, 7, 8, 11
015003	1N5234B	D9

#### CONTROLS

019995	250KL	R44
019734	10KRA	R41
019736	50KL	R25, 26, 72
019710	50KA	R11
019712	50KRA	R27
019715	50KA	R6
019708	50KL	R9, 56
019714	50KA	R21
019709	50KL	R71
019713	50KRA	R24

#### CONNECTORS

020849	5-pin (male)	P2
022351	6-pin (male)	P4
020851	7-pin (male)	P1
022352	12-pin (male)	P3

#### MISCELLANEOUS

018594	Phone jack	J1
013528	Dual op-amp RCA4558	IC1, 2, 3, 4, 5, 7
019944	CMOS	IC6
022178	Screw	
097360	Lock nut	

FENDER MONTREUX AMPLIFIER P.C. BOARD ASSEMBLY  
(021098-000)

