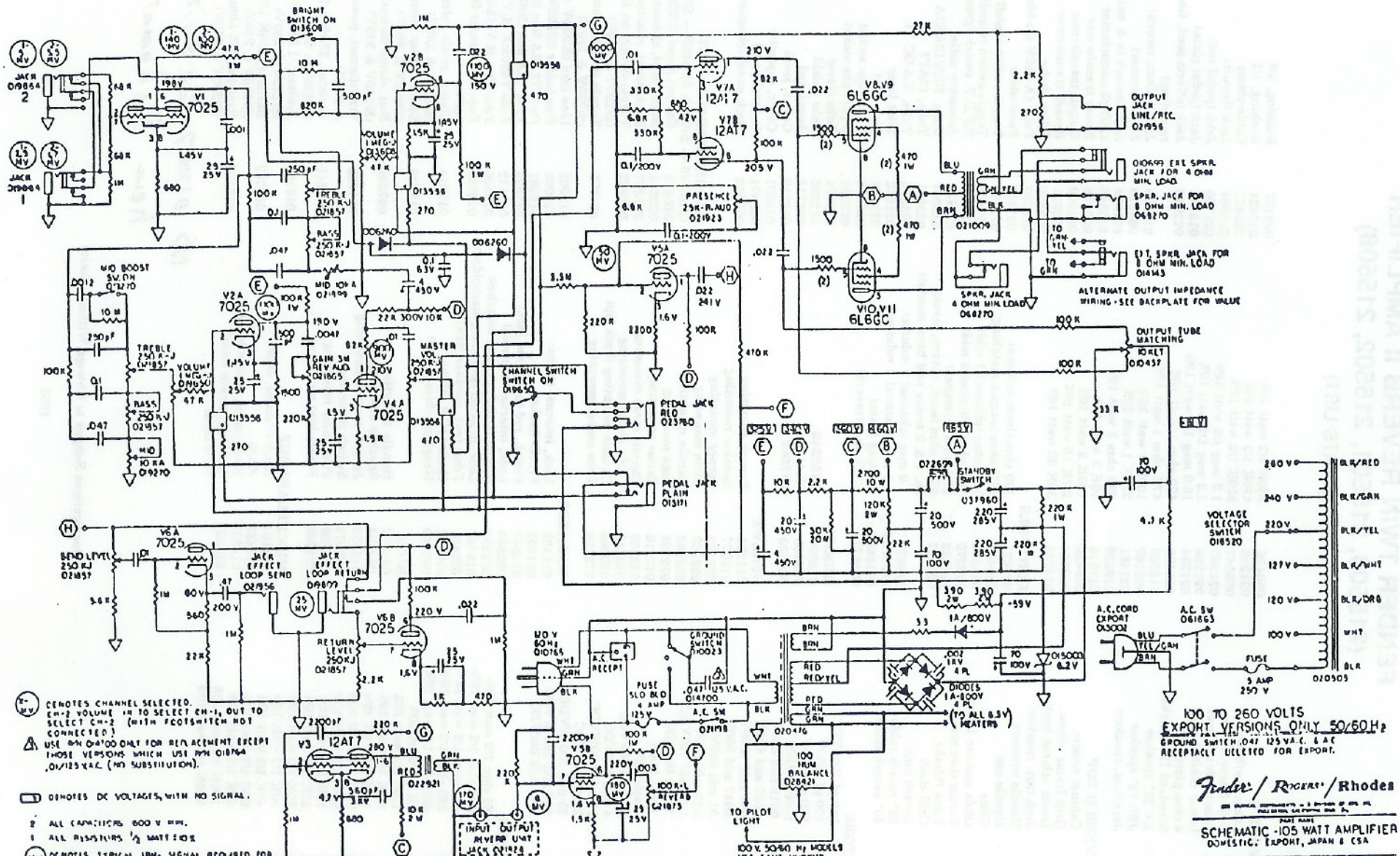


FENDER TWIN REVERB II AMPLIFIER (215500, 215501, 215502, 215508)



- Ⓢ CENOTES CHANNEL SELECTED. CH-2 VOLUME IN TO SELECT CH-1, OUT TO SELECT CH-2 (WITH FOOTSWITCH NOT CONNECTED).
- ⚠ USE PH OUT ONLY FOR REPLACEMENT EXCEPT THOSE VERSIONS WHICH USE PH 08M4 01/125 VAC. (NO SUBSTITUTION).
- Ⓛ DIMOTES DC VOLTAGES, WITH NO SIGNAL.
- Ⓜ ALL CAPACITORS 500 V MIN.
- Ⓜ ALL RESISTORS 1/2 WATT OR 50 W.
- Ⓜ Ⓜ NOTES TYPICAL 100 Mhz SIGNAL REQUIRED FOR 10 WATT RMS OUTPUT WITH ALL CONTROLS MAX. GAIN MIN. BOOST OFF AND DUMMY 'A' PLUG INSERTED INTO INPUT JACK 1 OR JACK 2 (GAIN MAX. INCREASES SENSITIVITY OF CHANNEL 2-225 dB)

CAUTION 300 VOLTS AVAILABLE-DISCONNECT POWER SUPPLY AND ALLOW AT LEAST 30 SEC. FOR VOLTAGES TO BLEED OFF BEFORE SERVICING AMPLIFIER

100 TO 260 VOLTS
EXPORT VERSIONS ONLY 50/60 Hz
GROUND SWITCH 047 125 V.A.C. & A.C. RECEPTACLE DELETED FOR EXPORT.

Fender/Rhodes

SCHEMATIC - 105 WATT AMPLIFIER
DOMESTIC: EXPORT, JAPAN & CSA

REV.	DATE	BY	CHKD.
1	10/20/55	D	B
PART NO. 020905		REV. 1	

Part #021478

(105 watt)

FENDER TWIN REVERB II AMPLIFIER (215500, 215501, 215502, 215508)

(PARTS LIST)

TWIN REVERB II

019896 Cabinet w/hdw.
019542 Grill frame w/hdw.
019609 Upper cabinet back
019610 Lower cabinet back
020522 4 ohm plate
020910 Standard 12" speaker
010129 EV 12" speaker
092577 JBL 12" speaker
010699 Jack (ext. speaker)

TWIN REVERB II TOP

021166 Cabinet w/hdw.
021172 Grill frame w/hdw.
019610 Lower cabinet back
014143 Jack (ext. speaker)
019170 Handle w/insert
019279 Handle cap
019276 Glide
019275 Glide cushion insert
024695 Corner (two screw)
019585 Tolex (black)
018252 Grill cloth
064063 Reverb unit
033282 36" reverb cable
032714 50" reverb cable

CAPACITORS

020917 250 pf 1000VDC
020842 500 pf 1000V
010992 560 pf 3000V
060962 1000 pf 1000V
010693 .0012 mfd 600V
010541 .0022 mfd 600V
020875 .003 mfd 1000V
010542 .0047 mfd 600V
010543 .01 mfd 600V
004513 .022 mfd 600V
014700 .047 mfd 125VAC
008159 .1 mfd 600VDC
021022 .1 mfd 200V
017497 .1 mfd 63V
001485 .47 mfd 200VDC
012022 4 mfd 450VDC
020982 20 mfd 500WVDC
009512 25 mfd 25VDC
014122 70 mfd 100 WVDC
013638 220 mfd 285 WVDC
012754 .047 mfd 600VDC

RESISTORS

011286 33 ohm 1/2 watt 10%
073502 270 ohm 1/2 watt 10%
021188 470 ohm 1/2 watt 10%
070110 560 ohm 1/2 watt 10%
070128 680 ohm 1/2 watt 10%
021204 1K 1/2 watt 10%
021212 1.5K 1/2 watt 10%
021220 2.2K 1/2 watt 10%
031062 4.7K 1/2 watt 10%
069823 5.6K 1/2 watt 10%
021253 6.8K 1/2 watt 10%
021279 10K 1/2 watt 10%
021295 22K 1/2 watt 10%
021303 27K 1/2 watt 10%
006138 33K 1/2 watt 10%
021311 47K 1/2 watt 10%
021337 68K 1/2 watt 10%
032136 82K 1/2 watt 10%
021345 100K 1/2 watt 10%
021493 220K 1/2 watt 10%

090456 330K 1/2 watt 10%
021352 470K 1/2 watt 10%
065847 820K 1/2 watt 10%
021360 1.0 meg 1/2 watt 10%
021386 3.3 meg 1/2 watt 10%
021394 10.0 meg 1/2 watt 10%
021402 470 ohm 1 watt 10%
012389 47K ohm 1 watt 10%
008167 100K 1 watt 10%
021451 220K 1 watt 10%
019256 390 ohm 2 watt 10%
017516 10K 2 watt 10%
018450 120K 2 watt 10%
013764 2.7K 10 watt 10%
013765 30K 20 watt 10%

CONTROLS

028421 100 ohm (hum balance)
010437 10K ohm (output matching)
021889 10K ohm (channel 1 mid)
019270 10K ohm (channel 2 mid)
021923 25K ohm (presence)
021857 250K ohm (send, return, levels, ch. 1 & 2 treble and bass, master)
019650 1.0 meg (channel 2 volume)
013608 1.0 meg (channel 1 volume)
021865 3.0 meg (gain)
021873 100K ohm (reverb)

DIODES

015003 1N5234B
006260 1N4448
026730 1N5062

SCREWS

011231 Reverb mounting
019277 Speaker mounting
022103 Corner mounting
022160 Glide mounting
022244 Handle mounting
022152 Logo mounting
012215 Caster mounting
022236 Chassis strap mounting
030858 Cable clamp mounting
030866 Chassis mounting (back lip)
072124 Tube socket mounting

WASHERS

016436 Lock, internal (jacks)
031353 Finish (jacks)
014567 Finish, red (pedal red jack)
022384 Lock, internal (controls)
022293 Finish (on/off, ground switches)
016469 Lock, internal (switches, fuseholder)
026401 Fiber (ext. speaker jack)
010823 Dress (pilot lamp)
043760 Neoprene (fuseholder)

NUTS

021972 Handle mounting
092494 Speaker mounting
016352 Jack & control mounting
022012 Switch mounting
031625 Pilot lamp mounting
031666 Fuseholder mounting

MISCELLANEOUS

024604 Knob (volume, boost)
013485 Knob
014521 Knob (send, return levels)
010401 Bushing, strain relief (line cord)

024107 Bushing, 3/8
019921 Bushing, 1/2
022491 Cable clamp
019864 Jack (inputs)
023760 Jack (pedal red)
013171 Jack (pedal plain)
021956 Jack (effects send, line/recording)
019809 Jack (effects return)
068270 Jack (speaker)
021824 Jack (reverb in & out)
013556 LED photoconductor
020476 Power transformer
021009 Output transformer
022921 Reverb transformer
022699 Filter choke
013737 Fuse 4A-250V sio-blo
021527 Fuseholder
021198 Toggle switch (on/off)
037960 Toggle switch (standby)
010023 S.P.D.T. switch (ground)
023737 Accessory outlet
013341 Tube, 7025/12AX7A
023531 Tube, 12AT7
023556 Tube, 6L6 GC YL
021642 Pilot lamp
021462 Line cord
023606 9 pin tube socket
023580 8 pin tube socket
020424 Tube clamp
023598 Tube shield
025718 Jewel, red
032219 Collar, jewel
013901 Cover, capacitor
020471 Control panel
020512 Back panel (chassis)

EXPORT MODELS ONLY

(21-5540 — 240V & 21-5550 — S/220V)
020478 Control panel (S/220V & 240V)
020515 Back panel, chassis (S/220V)
021377 Back panel, chassis (240V)
012982 Toggle switch, on & off (S/220V & 240V)
021375 Toggle switch, standby (S/220V & 240V)
013002 Line cord (S/220V & 240V)
013005 Fuseholder (S/220V & 240V)
013261 Fuse T3.15A line (S/220V)
013679 Fuse T4A line (240V)
013112 Fuse T630mA H.V. (S/220V)
013009 Fuse T1A H.V. (240V)
013013 Fuse T8A heater (S/220V & 240V)
013014 Clamp, strain relief (S/220V & 240V)
012319 Screw, clamp mounting (S/220V & 240V)
097360 Nut, clamp mounting (S/220V & 240V)
021032 Transformer, power (S/220V & 240V)
021548 Resistor, 33 ohm 1/2 watt 5% (S/220V & 240V)
015166 Resistor, 1.5K 1/2 watt 5% (S/220V & 240V)
065789 Resistor, 150K 1/2 watt 5% (S/220V & 240V)
015167 Resistor, 470 ohm 1 watt 5% (S/220V & 240V)

NS 017007 Foot Switch
have Schematic

Specifications Subject to Change Without Notice