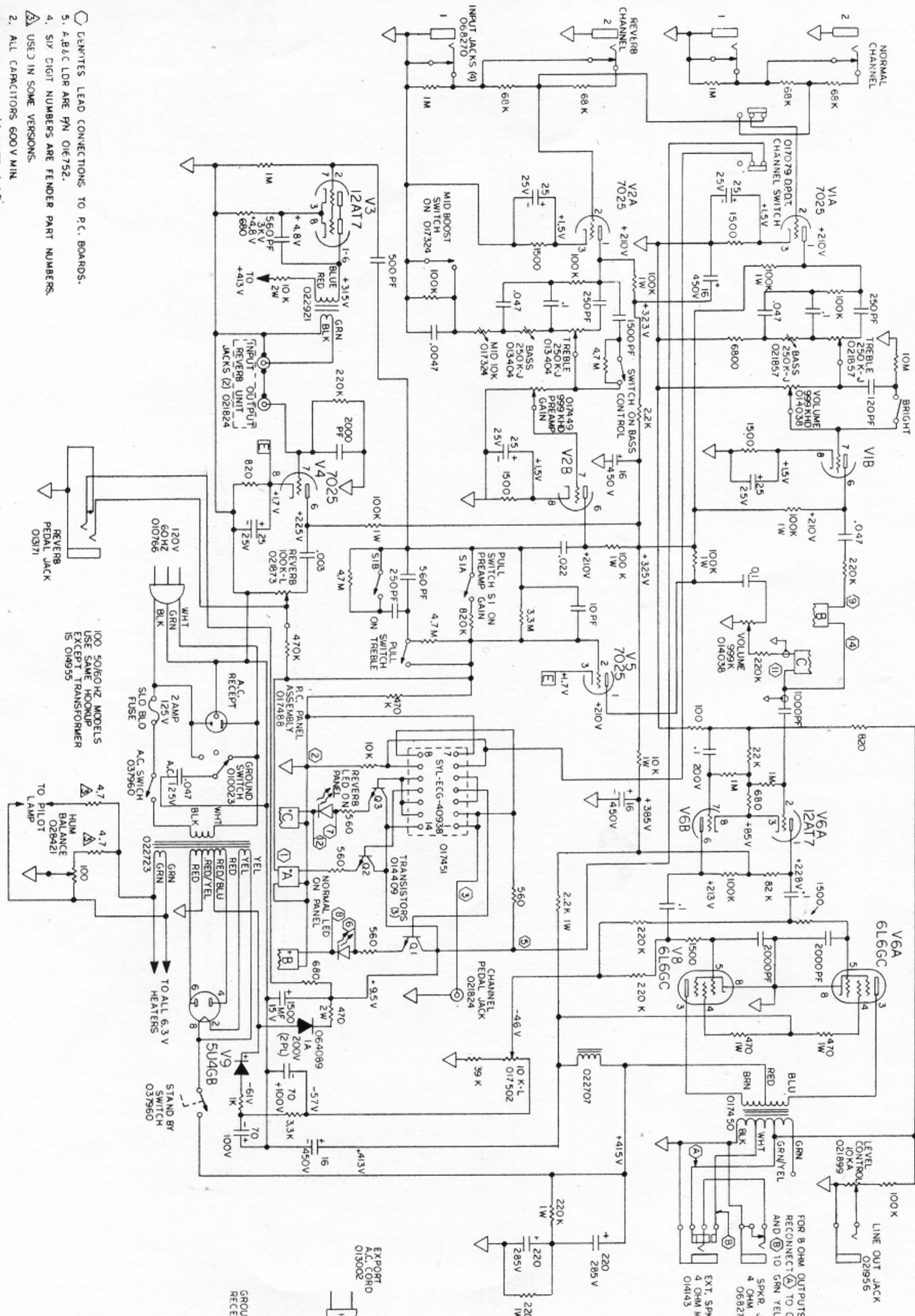


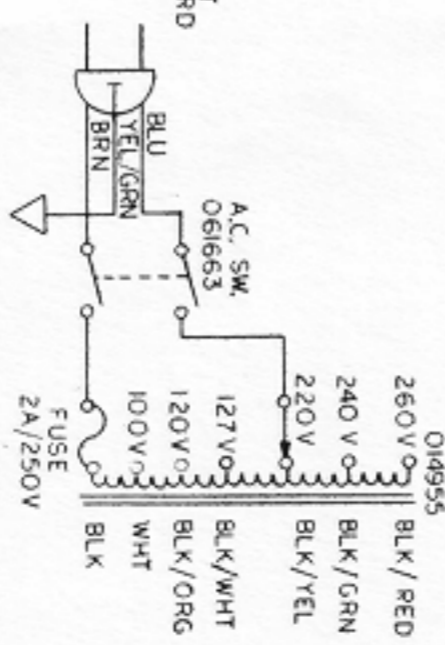
THIS PRODUCT MANUFACTURED UNDER ONE OR MORE OF THE FOLLOWING  
 U.S. PATENTS # 2817708, # 2973681, # 192859 & PATENTS PENDING



- DENOTES LEAD CONNECTIONS TO P.C. BOARDS.
- 5. A, B, C LDR ARE PN 016752.
- 4. SIX DIGIT NUMBERS ARE FENDER PART NUMBERS.
- △ USED IN SOME VERSIONS.
- 2. ALL CAPACITORS 600V MIN.
- 1. ALL RESISTORS 1/2 WATT, ±10%.

100 50/60HZ MODELS  
 USE SAME HOOKUP  
 EXCEPT TRANSFORMER  
 IS 014955

100 TO 260 V  
 EXPORT VERSIONS  
 ONLY (50/60) HZ  
 GROUND SWITCH 047125 V.A.C. & A.C.  
 RECEPTACLE DELETED FOR EXPORT.



**Fender / Rodgers / Rhodes**  
 CBS MUSICAL INSTRUMENTS - A DIVISION OF CBS, INC.  
 CBS MUSICAL, FALLENBURG, CALIFORNIA 92028

**SCHEMATIC - 30 WATTS DUAL CHANNEL**

DOMESTIC, EXPORT AND JAPAN

SIZE **D** PART NO. **017452** REV