

FENDER DELUXE REVERB II AMPLIFIER (214700)

PARTS LIST

019388 Cabinet w/hardware
019540 Grill frame w/hardware
019552 Upper cabinet back
019553 Lower cabinet back
019170 Handle w/insert
019279 Handle cap
019308 Glide Assy.
024695 Corner — 2 screw
019585 Tolex — black
018252 Grill cloth
019465 12" speaker
010129 12" EV speaker
019118 Power Transformer
022640 Output Transformer
022921 Reverb Output Transformer
022707 Choke
011298 Fender logo
013341 7025/12AX7A Tube
023521 12AT7 Tube
023564 6V6 Tube
064063 Reverb Pan
031849 Reverb pan bag
032714 Reverb cable — 50"
033282 Reverb cable — 36"

CAPACITORS

010541 .0022 mfd 10% 600V
010992 560 pf 10% 3 kv
014700 .047 mfd 125v
023257 .002 10% 25F
004513 .022 mfd 10% 600v
008159 .1 mfd 20% 600v
009512 25 mfd 25v
010542 .0047 mfd 10% 600v
010543 .01 mfd 10% 600v
012022 4 infd. 450v
012754 .047 +- 10% 600v
014122 70 mfd 100v
020875 .003 mfd 10% 1kv
020883 .00001 mfd 1kv
020917 .00025 mfd 10% 1kv
020982 20 mfd 500v
021022 .1 mfd 200v
020842 .0005 mfd 10% 1kv
020925 120 pf 10% 1kv
019128 80 mfd x40x20 450v
060962 .001 mfd 10%

RESISTORS

008167 100k 10% 1w
012389 47k 10% 1w
017516 10k x 2w
019256 390 Ohm 10% 2w
021162 47 Ohm 10% 1/2w
021212 1.5k Ohm 10% 1/2w
021220 2.2k Ohm 10% 1/2w
021253 6.8k Ohm 10% 1/2w
021279 10k Ohm 10% 1/2w
021287 15k Ohm 10% 1/2w
021295 22k Ohm 10% 1/2w
021311 47k Ohm 10% 1/2w
021337 68k Ohm 10% 1/2w
021345 100k Ohm 10% 1/2w
021352 470k Ohm 10% 1/2w
021360 1 meg. Ohm 10% 1/2w
021386 3.3 meg. Ohm. 10% 1/2w
021493 220k Ohm 10% 1/2w
031062 4.7 Ohm 10% 1/2w
032136 82k Ohm 10% 1/2w
070128 680 Ohm 10% 1/2w
073502 270 Ohm 10% 1/2w
021394 10 meg. Ohm 10% 1/2w
065847 820k Ohm 10% 1/2w

DIODES

015003 IN5234B Zener
026730 1Ax800v
013556 Vactec led/ldr.

CONTROLS

028421 100 Ohm — Hum Balance
013608 1 meg w/pull switch — volume (bright)
019270 10k Audio 20% w/pull switch — mid
019650 1 mj 20% w/spdt switch —
volume (channel select)
021857 250k Audio — Treble, Bass, Master
021865 3 meg. Rev. Audio — gain
021873 100k — reverb
021923 25 — presence

SCREWS

011231 Cabinet back mounting
019277 Speaker mounting
022160 Glide mounting
022103 Corner mounting
022244 Handle mounting
022152 Logo mounting
022236 Chassis mounting
016188 Reverb Pan mounting

WASHERS

010823 Dress — pilot light
014567 Red enamel — pedal red
031153 Finish — all jacks
016436 Internal jack — input jacks,
rev. pedal jacks
016469 Internal lock — fuse holder
022384 Internal lock — controls, jacks
022293 Finish — on — off switch

NUTS

021972 Tee nut — handle mounting
019282 Pem — Chassis
022012 On-off switch mounting
031625 Pilot light holder mounting
031666 Fuse holder mounting
016352 Jack mounting
092494 Speaker mounting

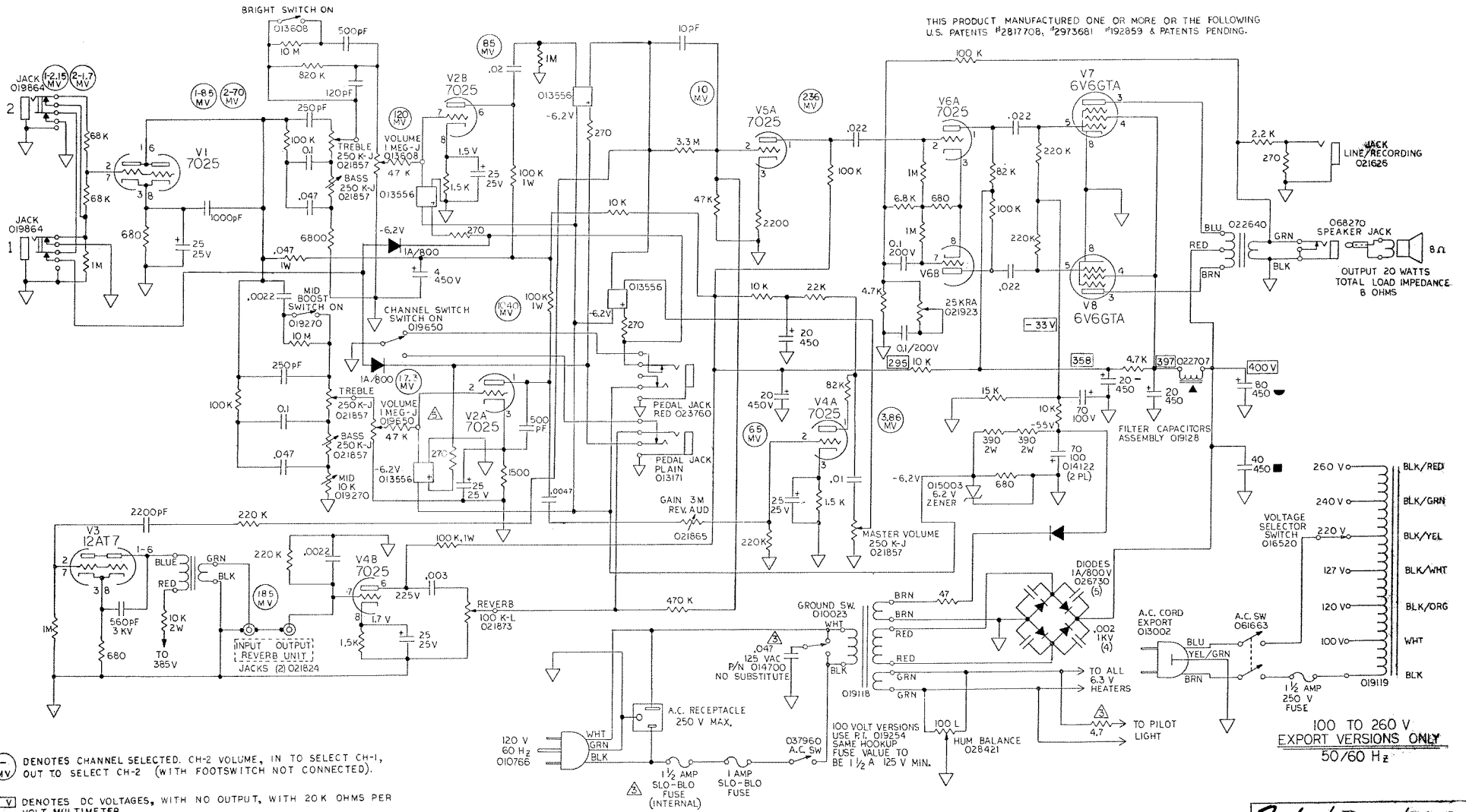
MISCELLANEOUS

013485 Knob — treble, bass, gain,
master, reverb, presence
024604 Knob — volume, mid.
019590 Control plate
019591 Rear chassis plate
007565 Strain relief busing — AC Cord
016081 Capacitor clamp
022491 Cable clamp
010766 Line cord
023737 AC Outlet
013171 Jack — pedal plain
019864 Jack — input
021626 Jack — line recording
021824 Jack — reverb input and output
023760 Jack — pedal red
068270 Jack — speaker
021527 Fuseholder
021667 1A slo blo fuse
021741 Pilot light holder
021642 #47 pilot light
032219 Pilot light collar
025718 Pilot light jewel
023580 Tube socket — 8 pin
023606 Tube socket — 9 pin
023598 Tube shield
037960 Toggle switch sp-st — on-off
010023 Toggle switch sp-dt — ground
024752 Chassis strap

EXPORT MODEL ONLY

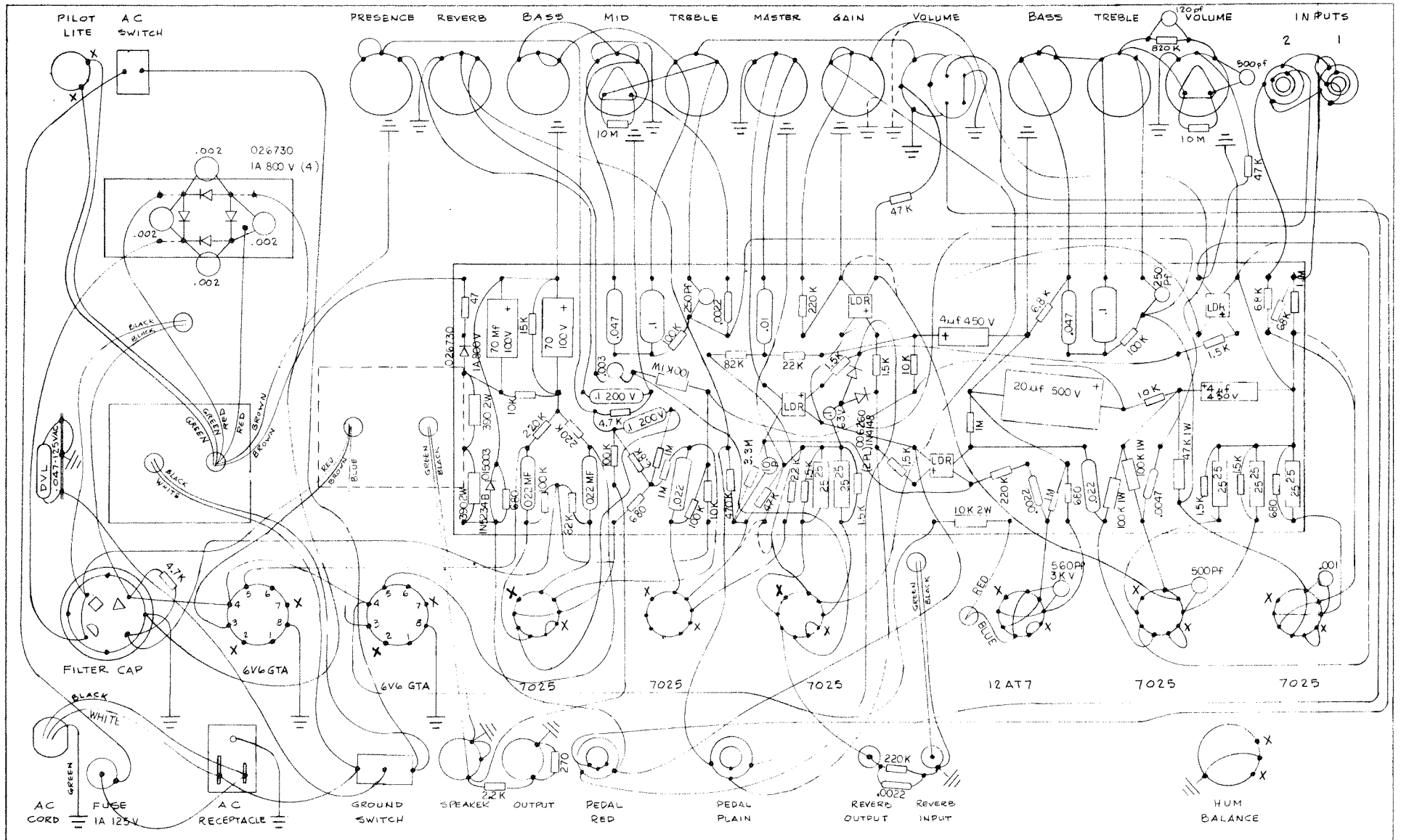
013002 Line cord
016520 Voltage selector
019119 Power Transformer
019592 Rear chassis plate
036788 1 1/2 A fuse
061663 Toggle switch dp-st

THIS PRODUCT MANUFACTURED ONE OR MORE OF THE FOLLOWING
U.S. PATENTS #2817708, #2973681 #192859 & PATENTS PENDING.



- (X-MV) DENOTES CHANNEL SELECTED. CH-2 VOLUME, IN TO SELECT CH-1, OUT TO SELECT CH-2 (WITH FOOTSWITCH NOT CONNECTED).
- [V] DENOTES DC VOLTAGES, WITH NO OUTPUT, WITH 20K OHMS PER VOLT MULTIMETER.
- ⚠ USE P/N 014700 ONLY FOR REPLACEMENT EXCEPT THOSE VERSIONS WHICH USE P/N 018764 .01 125 V.A.C. (NO SUBSTITUTION).
- 2. ALL CAPACITORS 500 V. MIN.
- 1. ALL RESISTORS 1/2 WATT ±10%.
- (MV) DENOTES TYPICAL 1KHz SIGNAL REQUIRED FOR 10 WATT R.M.S. OUTPUT WITH ALL CONTROLS MAX. AND BOOST OFF.

Fender / ROGERS / RAYDEN			
CBS MUSICAL INSTRUMENTS - A DIVISION OF CBS INC FULLERTON, CALIFORNIA, U.S.A.			
PART NAME			
SCHEMATIC, DELUXE REVERB II			
DOMESTIC, C.S.A. EXPORT & JAPAN			
RELEASE	SIZE	PART NO.	REV
	D	019310	
SCALE	MODEL-DELUXE NO. REVERB II		



Fender Deluxe Reverb II Amplifier Wiring Diagram